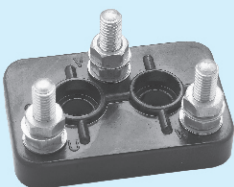


REFERENCE ABBREVIATIONS

- L LENGTH OF THE TERMINAL BLOCK
- B WIDTH OF THE TERMINAL BLOCK
- E CENTRE DISTANCE BETWEEN THE FIXING HOLES
- D DIAMETER OF THE FIXING HOLES
- H TOTAL HEIGHT OF THE BLOCK WITH THE INSERT
- T THREADING OF THE INSERT IN mm



**Terminal Block
suitable for
1 HP Motor**

No. 2001

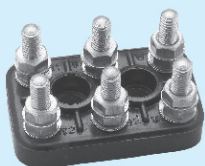
DRG. NO.	L	B	E	D	H	T
FI/TP 1/3T	49	32	18	7	25.5	M 5



**Terminal Block
suitable for
Single Phase Motors**

No. 2002

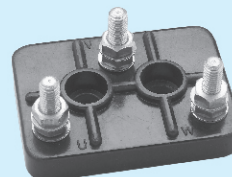
DRG. NO.	L	B	E	D	H	T
FI/TP 1/4T	50	32	18	7	25.5	M 5



**Terminal Block
suitable for
1-2 HP Motors**

No. 2003

DRG. NO.	L	B	E	D	H	T
FI/TP 1/6T	50	32	18	7	25.5	M 5



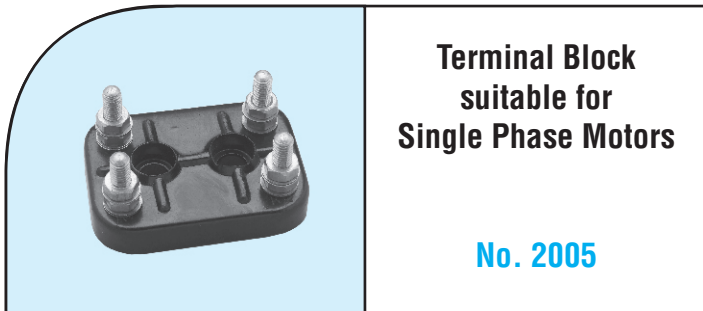
**Terminal Block
suitable for
1-3 HP Motors**

No. 2004

DRG. NO.	L	B	E	D	H	T
FI/TP 2/3T	55	40	19.5	7	26	M 5

FOREMOST INDUSTRIAL PRODUCTS

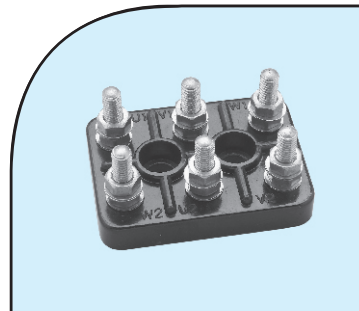
Terminal Blocks



**Terminal Block
suitable for
Single Phase Motors**

No. 2005

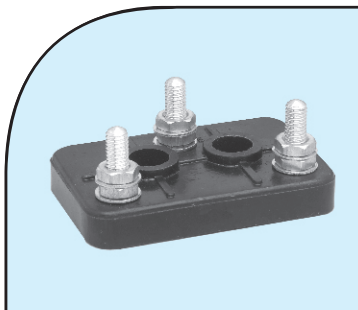
DRG. NO.	L	B	E	D	H	T
FI/TP 2/4T	55	40	20	7.5	26	M 5



**Terminal Block
suitable for
H.B.B. 5 HP Motors**

No. 2006

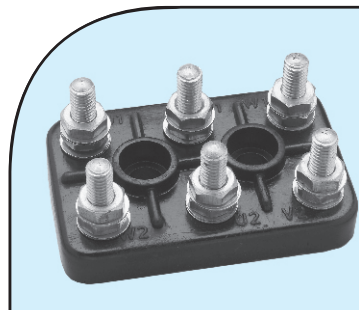
DRG. NO.	L	B	E	D	H	T
FI/TP 2/6T	55	40	19.5	7	26	M 5



**Terminal Block
suitable for
3 HP Motors**

No. 2007

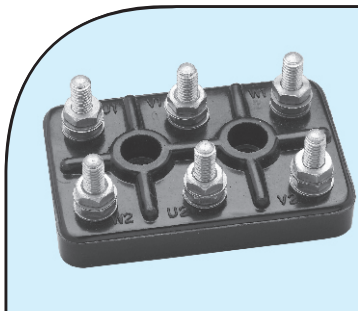
DRG. NO.	L	B	E	D	H	T
FI/TP 3/3T	70	45	24	7	29.5	M 6



**Terminal Block
suitable for
5-10 HP Motors**

No. 2008

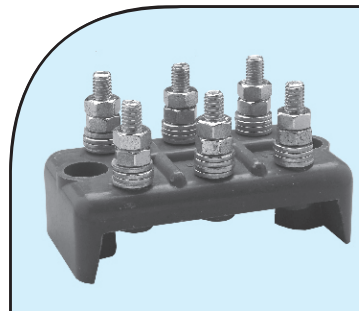
DRG. NO.	L	B	E	D	H	T
FI/TP 3/6T	70	45	25	8	29.5	M 6



**Terminal Block
suitable for
Crompton (Old)
15 HP Motors**

No. 2009

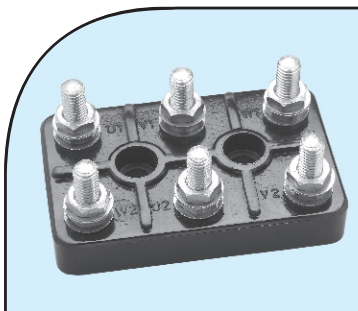
DRG. NO.	L	B	E	D	H	T
FI/TP 4/6T	82	53	30	8	31	M 6



**Terminal Block
suitable for
Kirloskar 15-20 HP**

No. 2010 / 2710

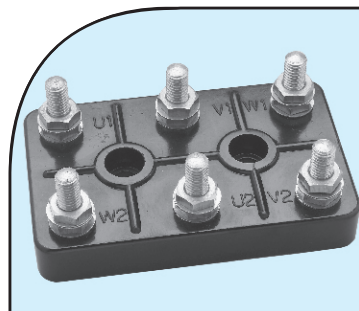
DRG. NO.	L	B	E	D	H	T
FI/TP 5/6T	87	49	69	8	50.5	M 6



**Terminal Block
suitable for
Crompton (Old)
15-25 HP
& NEI 15-25 HP Motors**

No. 2011

DRG. NO.	L	B	E	D	H	T
FI/TP 6/6T	96	60	36	9	39.5	M 8



**Terminal Block
suitable for
50 HP Motors**

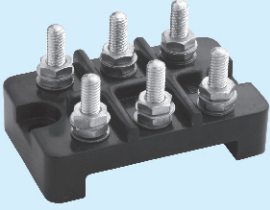
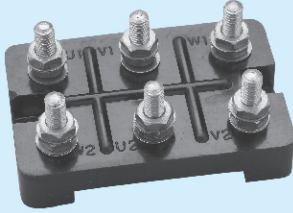
No. 2012

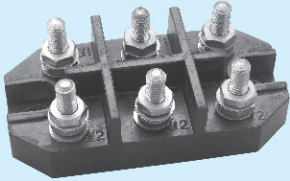
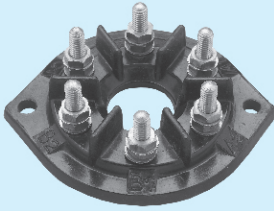
DRG. NO.	L	B	E	D	H	T
FI/TP 7/6T	112	69	44	9	40.5	M 8


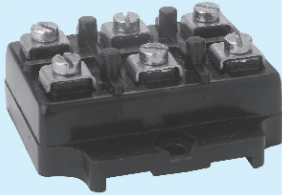
FOREMOST INDUSTRIAL PRODUCTS

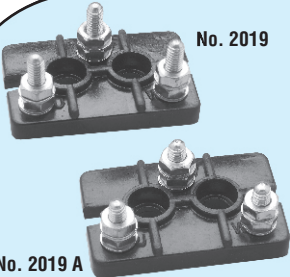
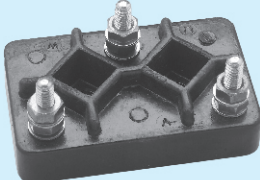
Terminal Blocks



			<p>Terminal Block suitable for Texmo 3-5 HP, Laxmi 10-20 HP Motors</p> <p>No. 2013</p>								<p>Terminal Block suitable for Texmo 10 HP Motors</p> <p>No. 2014</p>			
DRG. NO.	L	B	E	D	H	T	DRG. NO.	L	B	E	D	H	T	
FI/TP 8/6T	75	47	64	7	38	M 6	FI/TP 9/6T	80	52	68	8.5	35	M 6	

			<p>Terminal Block suitable for Jyoti 10 HP Motors</p> <p>No. 2015</p>								<p>Terminal Block suitable for AEI Motors</p> <p>No. 2016</p>			
DRG. NO.	L	B	E	D	H	T	DRG. NO.	L	B	E	D	H	T	
FI/TP 11/6T	87	44	68	9	32.5	M 6	FI/TP 126	84	71	69	5	25	M 5	

			<p>Terminal Block suitable for Siemens / Bharat Bijlee 5 HP (Old)</p> <p>No. 2017</p>								<p>Terminal Block suitable for Siemens / Bharat Bijlee 10 HP (Old)</p> <p>No. 2018</p>			
DRG. NO.	L	B	E	D	H	DRG. NO.	L	B	E	D	H			
FI/TP 136	70	70	58	6	32	FI/TP 236	82	80	69	7	33			

			<p>Terminal Block suitable for Siemens / Bharat Bijlee ½ HP, Laxmi ½ HP</p> <p>No. 2019 & 2019-A</p>								<p>No. 2020</p>			
DRG. NO.	L	B	E	D	H	T	DRG. NO.	L	B	E	D	H	T	
FI/TP/GR10 - 3T	43	27.5	15.5	6	23/20	M 4	KM-4 / 3T	54	34	20.5	6.5	27	M 4	

FOREMOST INDUSTRIAL PRODUCTS

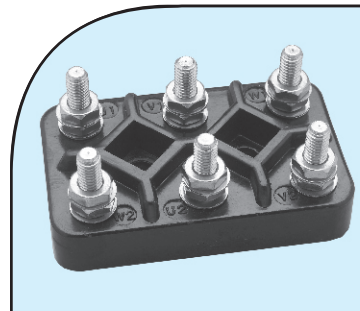
Terminal Blocks



**Terminal Block
suitable for
Siemens 3 HP Motors**

No. 2021

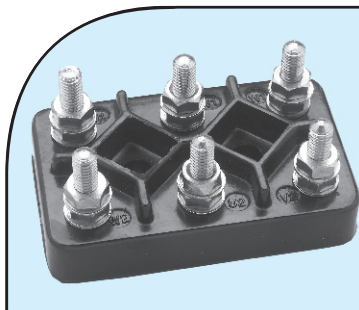
DRG. NO.	L	B	E	D	H	T
KM-4	54	34	20	6	27	M 4



**Terminal Block
suitable for
Siemens 5 HP Motors**

No. 2022

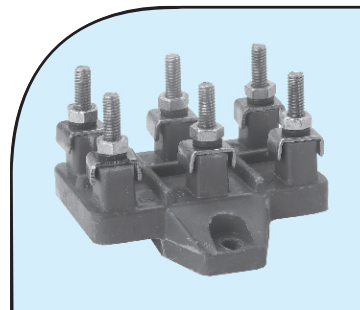
DRG. NO.	L	B	E	D	H	T
KM-5	64	40	23	7	31	M 5



**Terminal Block
suitable for
Siemens 7.5-10 HP
Motors**

No. 2023

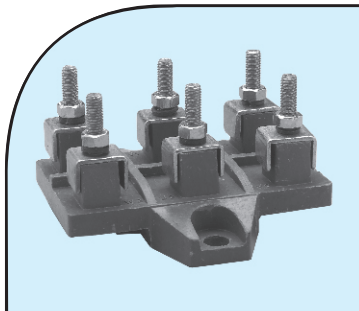
DRG. NO.	L	B	E	D	H	T
KM-6	77	48	28	7	33.5	M 6



**Terminal Block
suitable for
Siemens / Bharat Bijlee
3 HP (New)**

No. 2024 / 2724

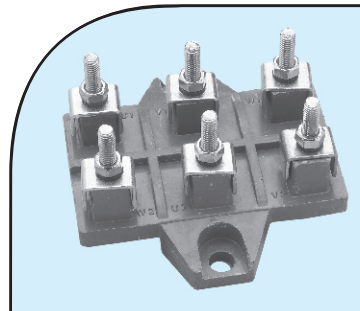
DRG. NO.	L	B	E	D	H	T
GK-130	59	57	51.5	4.5	38	M 4



**Terminal Block
suitable for
Siemens / Bharat Bijlee
5 HP (New)**

No. 2025 / 2725

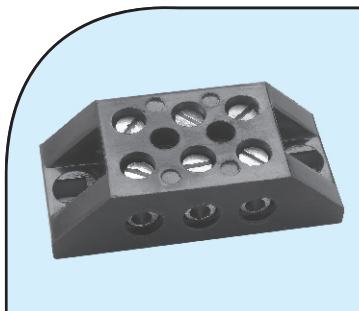
DRG. NO.	L	B	E	D	H	T
GK-230	70	66	60	6	38	M 4



**Terminal Block
suitable for
Siemens / Bharat Bijlee
7.5-10 HP (New)**

No. 2026 / 2726

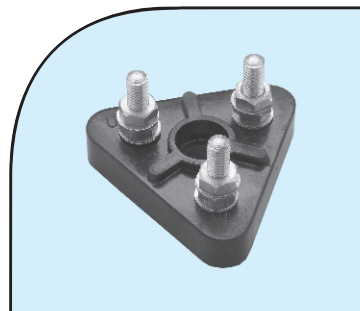
DRG. NO.	L	B	E	D	H	T
GK-330	81	81	70	7	47	M 5



**Terminal Block
suitable for
Crompton 3 Pin
Connector**

No. 2027

DRG. NO.	L	B	E	D	H
FI/TP 263	63	29	53	7 X 6	18.5



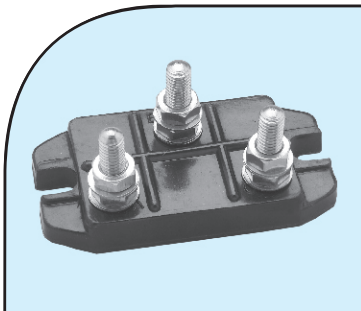
**Terminal Block
suitable for Jyoti 3 HP,
BBC 3 HP, Laxmi 3 HP
& Spartan (Baltiboi)
3 HP**

No. 2029

DRG. NO.	L	D	H	T
FI/TP TR/3T	49	7	27	M 5

FOREMOST INDUSTRIAL PRODUCTS

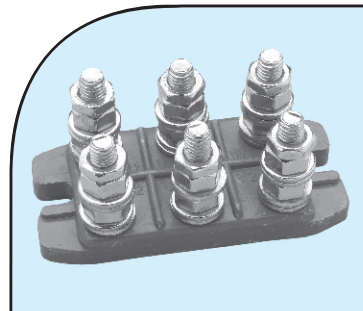
Terminal Blocks



**Terminal Block
suitable for
Kirloskar 3 HP
KH-100 Frame**

No. 2031

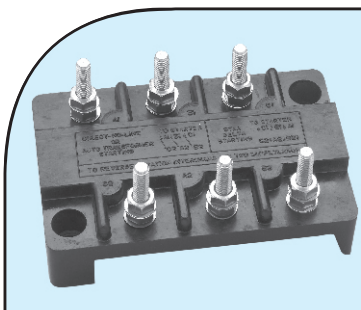
DRG. NO.	L	B	E	D	H	T
FI/TP 163	57.5	29	49	6.5	25.5	M 5



**Terminal Block
suitable for
Kirloskar 5-10 HP
KH-112 / KH-132 Frame**

No. 2032 / 2732

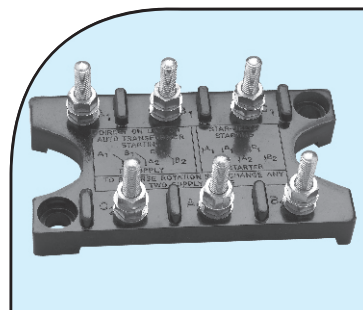
DRG. NO.	L	B	E	D	H	T
FI/TP 146	72	34	62.5	6.5	33	M 6



**Terminal Block
suitable for
Kirloskar 15-20 HP
(Old)**

No. 2033

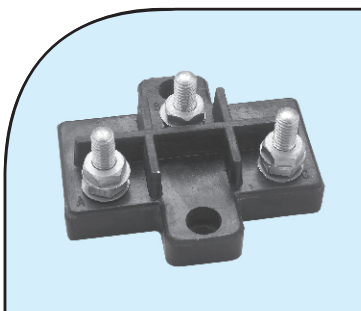
DRG. NO.	L	B	E	D	H	T
FI/TP 276	117	76	97	8	54	M 6



**Terminal Block
suitable for
Kirloskar 25-40 HP**

No. 2034

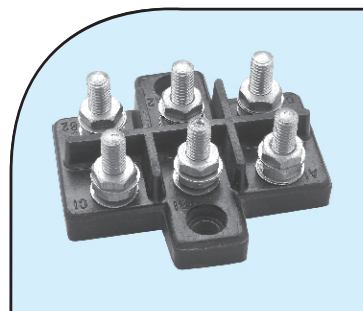
DRG. NO.	L	B	E	D	H	T
FI/TP 216	148	83	125	11	53	M 8



**Terminal Block
suitable for
New India 3 HP**

No. 2035

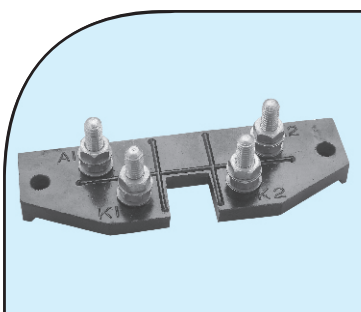
DRG. NO.	L	B	E	D	H	T
FI/TP CW/3T	67	60	47	6	30	M 6



**Terminal Block
suitable for
New India 5 HP**

No. 2036

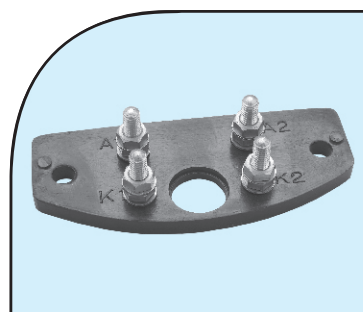
DRG. NO.	L	B	E	D	H	T
FI/TP CW/6T	67	62	47	7	30	M 6



**Terminal Block
suitable for
Single Phase Motors**

No. 2037

DRG. NO.	L	B	E	D	H	T
FI/TP S 44	92	30	80	5	26	M 5



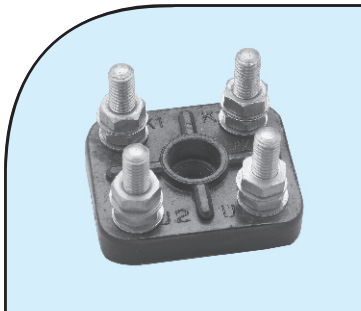
**Terminal Block
suitable for
Single Phase Motors**

No. 2038

DRG. NO.	L	B	E	D	H	T
FI/TP S 114	92	38	74	6.5	23	M 5

FOREMOST INDUSTRIAL PRODUCTS

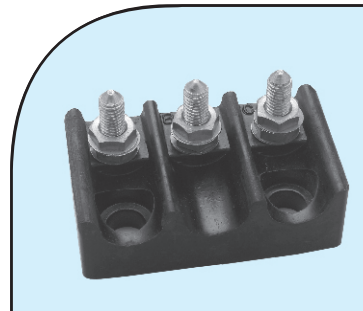
Terminal Blocks



**Terminal Block
suitable for
Single Phase Motors**

No. 2039

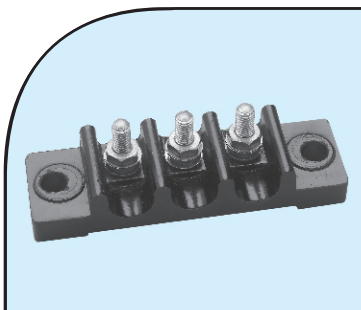
DRG. NO.	L	B	D	H	T
FI/TP S 204	39	33	7	25.5	M 5



**Terminal Block
suitable for
GEC / ALSTOM 3-5 HP**

No. 2043

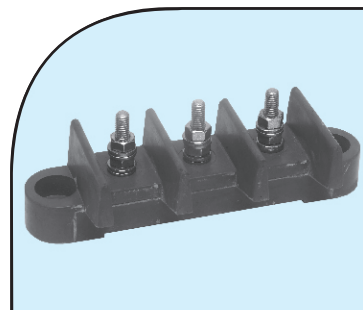
DRG. NO.	L	B	E	D	H	T
FI/TP 183	63	37	39	9	35	M 6



**Terminal Block
suitable for
GEC / ALSTOM 10 HP**

No. 2044

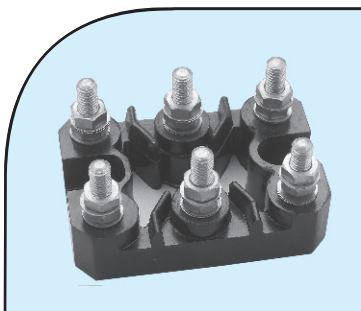
DRG. NO.	L	B	E	D	H	T
FI/TP 243	101	30	84	9	29	M 6



**Terminal Block
suitable for
GEC / ALSTOM 20 HP**

No. 2045

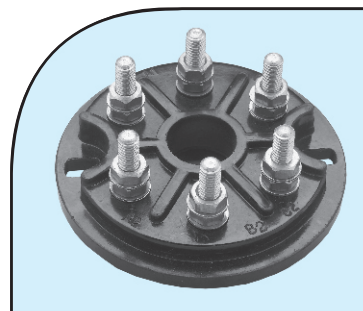
DRG. NO.	L	B	E	D	H	T
FI/TP 383	146	50	120	11	49	M 6



**Terminal Block
suitable for
GEC / ALSTOM
3-5 HP (New)**

No. 2046

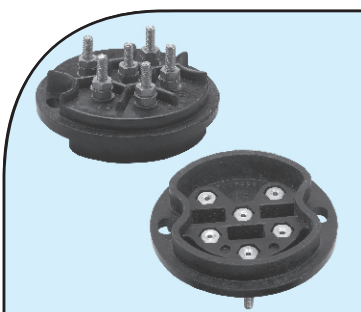
DRG. NO.	L	B	E	D	H	T
FI/TP 366	60.5	41	41	6.5	33	M 5



**Terminal Block
suitable for
NGEF 3 HP
(Moulded Inserts)**

No. 2047

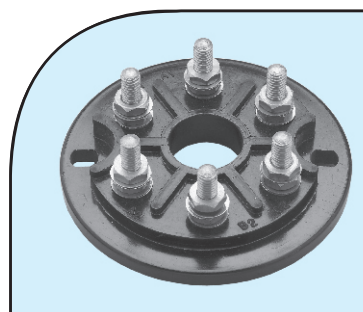
DRG. NO.	O/D	E	D	H	T
FI/TP 296	71	57	9 X 6	32	M 5



**Terminal Block
suitable for
NGEF 3 HP
with fitting**

No. 2047-A

DRG. NO.	O/D	E	D	H	T
FI/TP 296	71	58	9 X 7	36	M 4



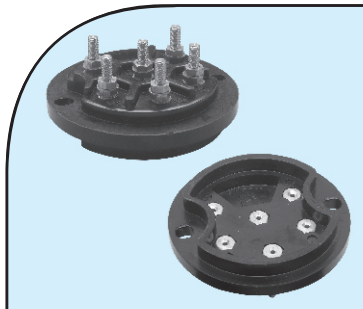
**Terminal Block
suitable for
NGEF 5-10 HP
(Moulded Inserts)**

No. 2048

DRG. NO.	O/D	E	D	H	T
FI/TP 306	88	72	9 X 6	34	M 6

FOREMOST INDUSTRIAL PRODUCTS

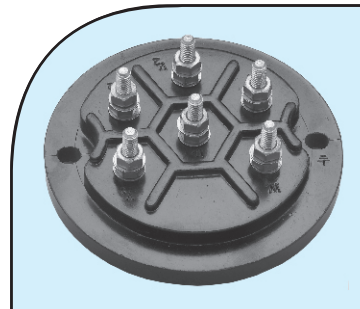
Terminal Blocks



**Terminal Block
suitable for
NGEF 5-10 HP
with fitting**

No. 2048-A

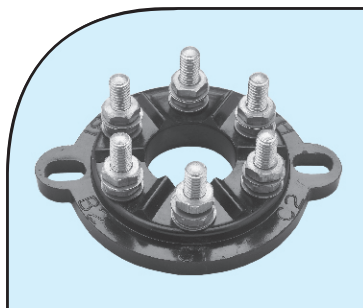
DRG. NO.	O/D	E	D	H	T
FI/TP 306	88	74	9 X 7	40	M 5



**Terminal Block
suitable for
NGEF 20-40 HP**

No. 2049

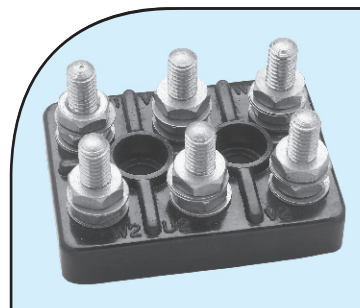
DRG. NO.	O/D	E	D	H	T
FI/TP 196	115	96	9 X 8	48	M 6



**Terminal Block
suitable for
Worthington Simpson
(Beacon)**

No. 2050

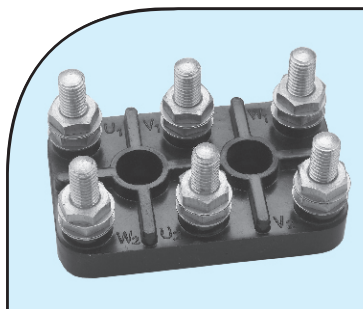
DRG. NO.	L	B	E	D	H	T
FI/TP 376	89	70	72	8 x 12	30	M 6



**Terminal Block
suitable for
Spartan (Batliboi) 5 HP**

No. 2053

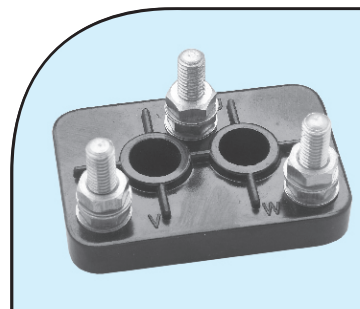
DRG. NO.	L	B	E	D	H	T
FI/TP 226	55	41	19.5	7	29.5	M 6



**Terminal Block
suitable for
HBB/ABB 15-25 HP**

No. 2054

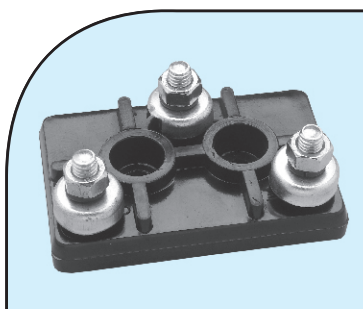
DRG. NO.	L	B	E	D	H	T
FI/TP 346	84	52	32	8	43	M 8



**Terminal Block
suitable for
Remi Motors**

No. 2055

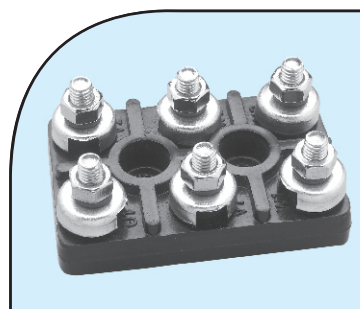
DRG. NO.	L	B	E	D	H	T
FI/TP R/3T	50	33	16	5	33	M 5



**Terminal Block
suitable for
Crompton 3 HP Motors**

No. 2058

DRG. NO.	L	B	E	D	H	T
2058	73	46	25	7	36	M 6



**Terminal Block
suitable for
Crompton 5-10 HP
Motors**

No. 2059

DRG. NO.	L	B	E	D	H	T
2059	73	46	25	7	36	M 6

FOREMOST INDUSTRIAL PRODUCTS

Terminal Blocks



**Bakelite Terminal Board
suitable for
NGEF 3 HP**

No. 2060

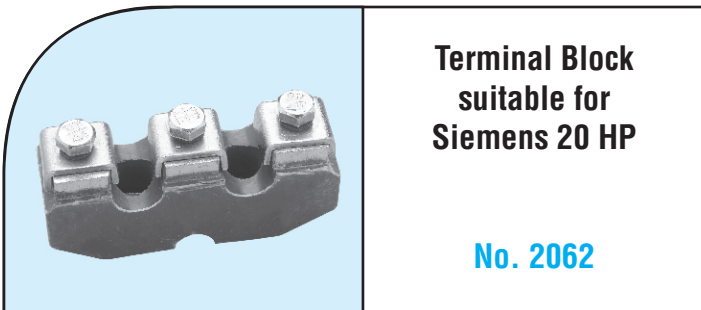
DRG. NO.	O/D	E	D	H
2060	71	58	9 X 7	22



**Bakelite Terminal Board
suitable for
NGEF 5-10 HP**

No. 2061

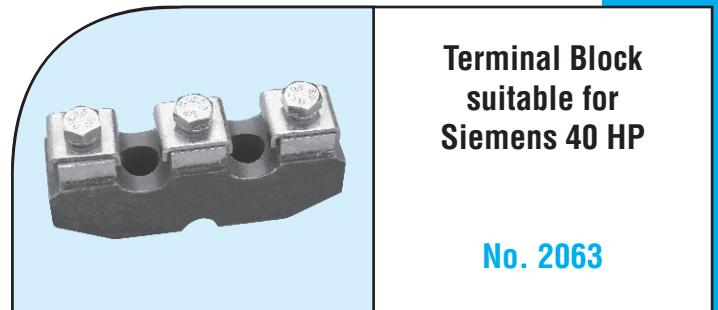
DRG. NO.	O/D	E	D	H
2061	88	74	9 x 7	25



**Terminal Block
suitable for
Siemens 20 HP**

No. 2062

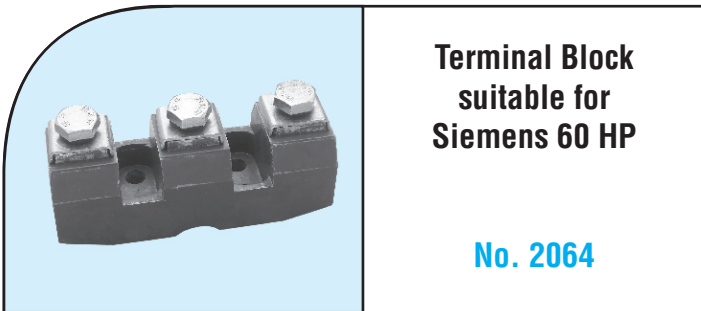
DRG. NO.	L	B	E	D	H	T
2062	81	24	30	7	42	M 6



**Terminal Block
suitable for
Siemens 40 HP**

No. 2063

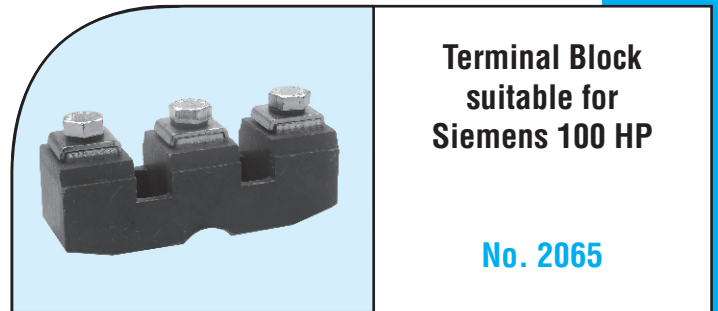
DRG. NO.	L	B	E	D	H	T
2063	106	29	38	9	51	M 8



**Terminal Block
suitable for
Siemens 60 HP**

No. 2064

DRG. NO.	L	B	E	D	H	T
2064	123	43	47	9	58	M 10



**Terminal Block
suitable for
Siemens 100 HP**

No. 2065

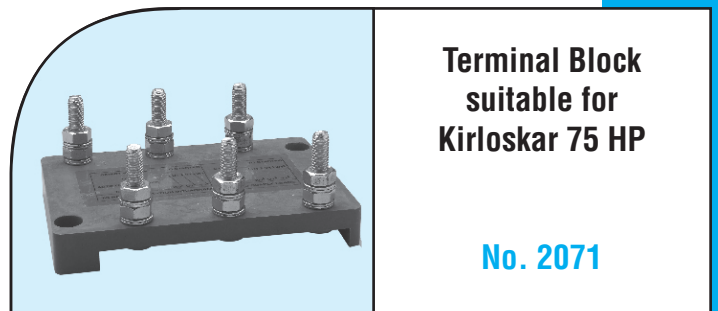
DRG. NO.	L	B	E	D	H	T
2065	144	46	54	10	65	M 12



**Terminal Block
suitable for
Siemens 2 HP**

No. 2067

DRG. NO.	L	B	E	D	H	T
FI/TPGR-10/6T	43	27.5	15.5	6	23	M 4




**Terminal Block
suitable for
Kirloskar 75 HP**

No. 2071

DRG. NO.	L	B	E	D	H	T
2071	178	123	158	10	68	M 10

FOREMOST INDUSTRIAL PRODUCTS


Terminal Blocks

Terminal Block suitable for Sharp 2 Pin Connector

No. 2072

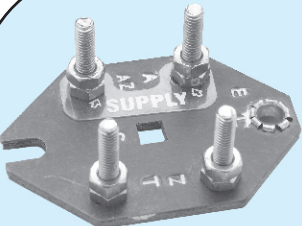
DRG. NO.	L	B	D	H
2072	24	24	5	14



Terminal Block suitable for 2 Pin Connector Nylon

No. 2072-B

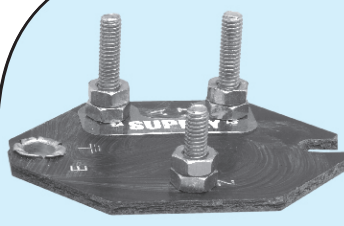
DRG. NO.	L	B	D	H
2072-B	24	22	4	13.5



Terminal Block suitable for Crompton Single Phase 4 Pt

No. 2073


DRG. NO.	L	B	E	D	H	T
2073	57.2	38.7	48	5	23.5	M 4



Terminal Block suitable for Crompton Single Phase 3 Pt

No. 2073-A


DRG. NO.	L	B	E	D	H	T
2073-A	57.2	38.7	48	5	23.5	M 4



Terminal Block suitable for Kirloskar 1-2 HP

No. 2074


DRG. NO.	L	B	E	D	H	T
2074	32.5	43	26	7	32.5	M 5



Terminal Block suitable for Crompton Flame Proof

No. 2076

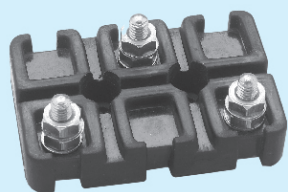
DRG. NO.	L	B	SLEEVE DIAMETER	H	T
2076	28	23	10.9 - 11	80	M 6



Terminal Block suitable for Crompton Flame Proof

No. 2076-A

DRG. NO.	L	B	SLEEVE DIAMETER	H	T
2076 - A	33	29	16 - 16.2	84	M 8



Terminal Block suitable for Siemens 1 HP (New)

No. 2077

DRG. NO.	L	B	E	D	H	T
GK 030	51	34	18	5	25	M 4

FOREMOST INDUSTRIAL PRODUCTS


Terminal Blocks




**Terminal Block
suitable for
New 3 Pin Connector**

No. 2078

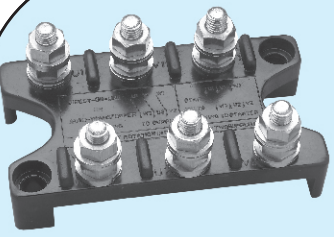
DRG. NO.	L	B	E	D	H
2078	35	24	12	4	14



**Terminal Block
suitable for
New 3 Pin
Connector Nylon**

No. 2078-B

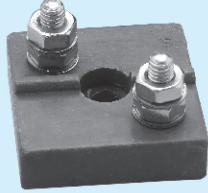
DRG. NO.	L	B	E	D	H
2078-B	34	22	11	4	13.5



**Terminal Block
suitable for
Kirloskar 40-60 HP**

No. 2079 / 2779


DRG. NO.	L	B	E	D	H	T
2079	149	83	126	11	60	M 10



**Terminal Block
2 PT**

No. 2080

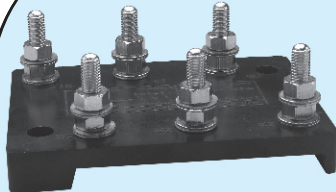
DRG. NO.	L	B	D	H	T
2080	28	28	5	20	M 4



**Terminal Block
2/3 T (6 mm)**

No. 2081

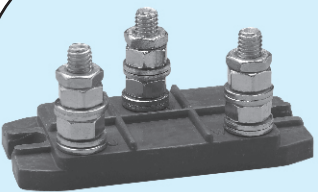
DRG. NO.	L	B	E	D	H	T
2081	55	40	20	7	30	M 6



**Terminal Block
suitable for
Kirloskar 100 HP**

No. 2082

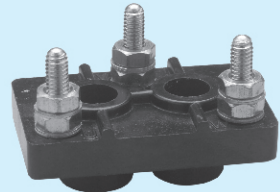
DRG. NO.	L	B	E	D	H	T
2082	200	150	158	10	77	M 12



**Terminal Block
FI/TP 146
(3 Studs)**

No. 2083

DRG. NO.	L	B	E	D	H	T
2083	72.5	34	62.5	6	33	M 6



**Terminal Block
FI/TP GR-10/3T
(REMI)**

No. 2084

DRG. NO.	L	B	E	D	H	T
2084	43	27	16	5	29	M 4

FOREMOST INDUSTRIAL PRODUCTS

Terminal Blocks



			<p>Terminal Block FI/TP GR-10/4T (REMI)</p> <p>No. 2085</p>							<p>Terminal Block FI/TP GR-10/6T (REMI)</p> <p>No. 2086</p>			
DRG. NO.	L	B	E	D	H	T	DRG. NO.	L	B	E	D	H	T
2085	43	27	16	5	29	M 4	2086	43	27	16	5	29	M 4

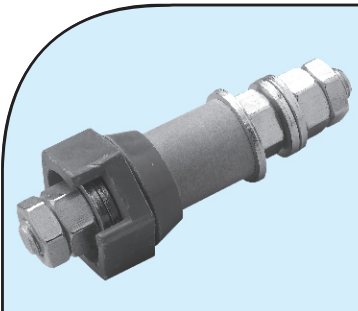
			<p>Terminal Block FI/TP 1/3 T (20 mm CD)</p> <p>No. 2087</p>							<p>Terminal Block FI/TP 1/6 T (20 mm CD)</p> <p>No. 2088</p>			
DRG. NO.	L	B	E	D	H	T	DRG. NO.	L	B	E	D	H	T
2087	48	32	20	5	25	M 5	2088	48	32	20	5	25	M 5

			<p>Terminal Block suitable for Laxmi Flameproof</p> <p>No. 2089</p>							<p>Terminal Block suitable for Laxmi Flameproof</p> <p>No. 2090</p>			
DRG. NO.	A/C	A/F	SLEEVE DIAMETER	H	T	DRG. NO.	A/C	A/F	SLEEVE DIAMETER	H	T		
2089	28	24	14.9 TO 14.98	89	M 6	2090	28	24	14.9 TO 14.98	83	M 6		

			<p>Terminal Cap suitable for Laxmi Flameproof</p> <p>No. 2091</p>							<p>Terminal Block suitable for Laxmi Flameproof</p> <p>No. 2092</p>			
DRG. NO.	ID	O. D.	H	DRG. NO.	A/C	A/F	SLEEVE DIAMETER	H	T				
2091	6.5	21.5	18.5	2092	41	36	24.9 TO 25	141	M 12				

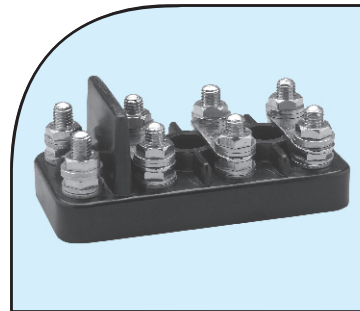
FOREMOST INDUSTRIAL PRODUCTS

Terminal Blocks



**Terminal Block
suitable for
Laxmi Flameproof**

No. 2093

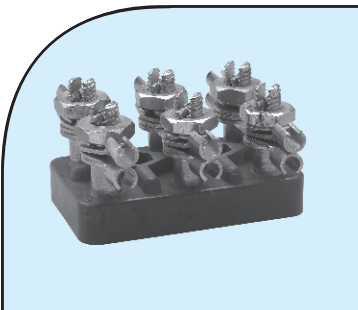


**Terminal Block
suitable for
Otis Motor (8 pin-M 5)**

No. 2096

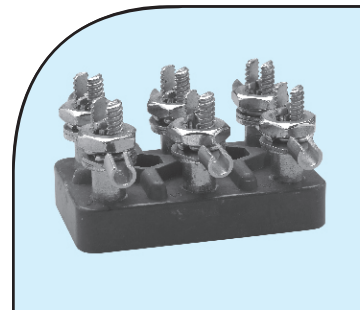
DRG. NO.	A/C	A/F	SLEEVE DIAMETER	H	T
2093	41	36	24.9 TO 25	109	M 12

DRG. NO.	L	B	E	D	H	T
2096	74	36	20	5.5	30	M 5



**Terminal Block
suitable for
Energy Efficient Motor**

No. 2097

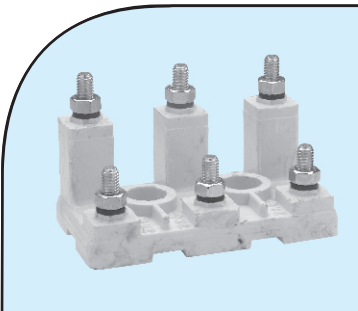


**Terminal Block
suitable for
Energy Efficient Motor**

No. 2098

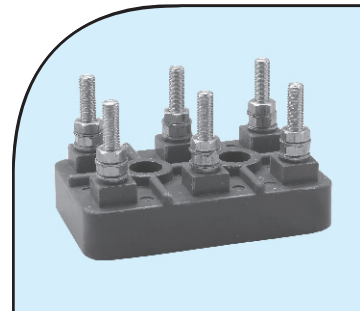
DRG. NO.	L	B	E	D	H	T
2097	69	43	26	6.3	43	M 8

DRG. NO.	L	B	E	D	H	T
2098	78	48	28	7	48	M 10



**Terminal Block
suitable for
Crompton Double
Decker (15-30 HP)**

No. 2099

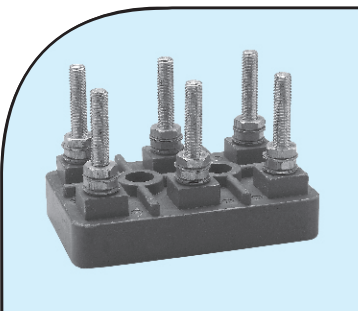


**Terminal Block
204 - 6**

No. 2100

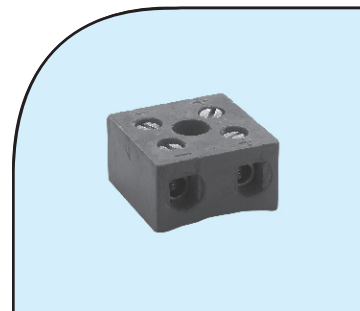
DRG. NO.	L	B	E	D	H	T
2099	91	51	36	9	62	M 6

DRG. NO.	L	B	E	D	H	T
2100	76	48	28	5.5	45	M 5



**Terminal Block
304 - 6**

No. 2101



**Terminal Block
2 pin Connector
with radius**

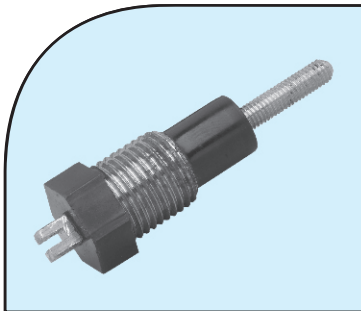
No. 2102

DRG. NO.	L	B	E	D	H	T
2101	85	55	28	5.5	57	M 6

DRG. NO.	L	B	D	H
2102	24	24	5	14

FOREMOST INDUSTRIAL PRODUCTS

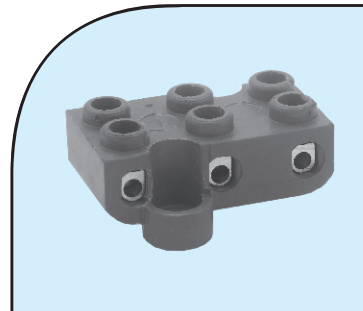
Terminal Blocks



Terminal Block
suitable for Remi
Flameproof M-5

No. 2105

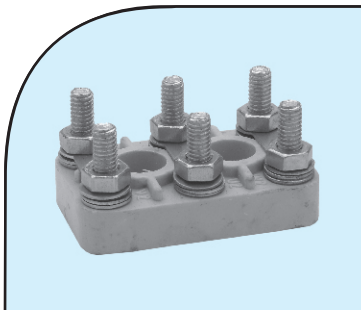
DRG. NO.	A/C	A/F	SLEEVE DIAMETER	H	T
2105	20	17	M 16	65	M 5



Terminal Block
suitable for
3 Pin Conector New

No. 2107

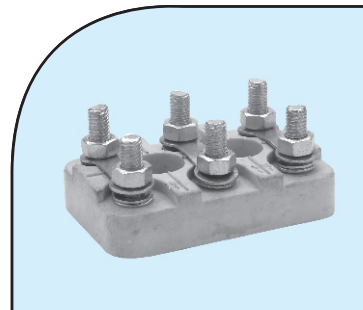
DRG. NO.	L	B	D	H
2107	36	20	4.5	16.5



Terminal Block
suitable for
Havells 56-80 frame

No. 2109

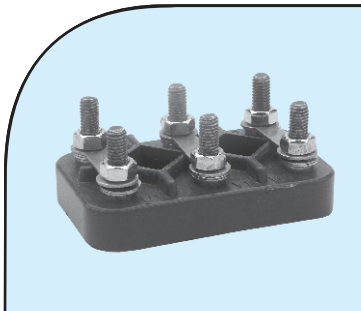
DRG. NO.	L	B	E	D	H	T
2109	40	25	15	7x6	21.5	M 4



Terminal Block
suitable for
Havells 90-112 frame

No. 2110

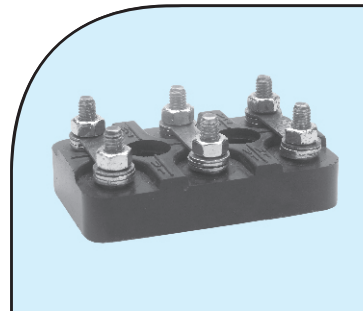
DRG. NO.	L	B	E	D	H	T
2110	56	36	20	9x6	27	M 5



Terminal Block
suitable for
Havells 132 frame

No. 2111

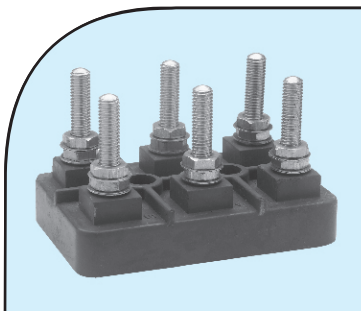
DRG. NO.	L	B	E	D	H	T
2111	64	40	23	6	27	M 5



Terminal Block
suitable for
Havells 160 frame

No. 2112

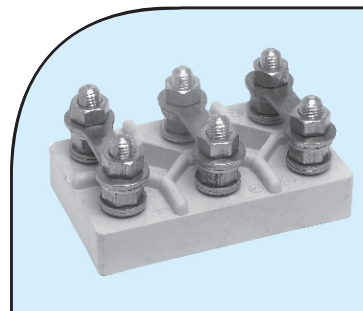
DRG. NO.	L	B	E	D	H	T
2112	82	52	30	12x6.5	33.5	M 6



Terminal Block
404 - 6

No. 2113

DRG. NO.	L	B	E	D	H	T
2113	104	68	35	6.6	65	M 8



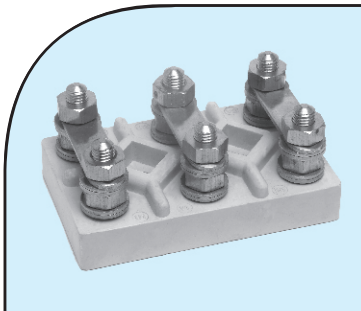
Terminal Block
suitable for
Havells 180-200 frame

No. 2114

DRG. NO.	L	B	E	D	H	T
2114	96	60	35	7	48	M 8

FOREMOST INDUSTRIAL PRODUCTS

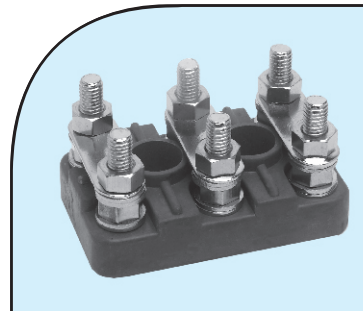
Terminal Blocks



**Terminal Block
suitable for
Havells 225-250 frame**

No. 2115

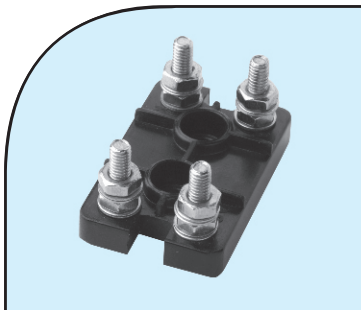
DRG. NO.	L	B	E	D	H	T
2115	120	75	45	9	57	M 10



**Terminal Block
suitable for
Kirloskar PM series**

No. 2116

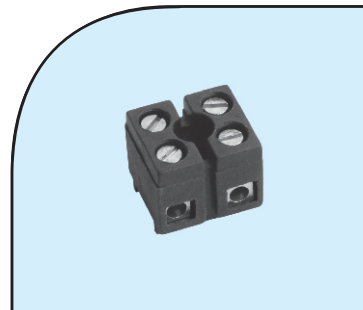
DRG. NO.	L	B	E	D	H	T
2116	54	34	20	6.5	29.5	M 5



**Terminal Block
suitable for
Single Phase Motors**

No. 2117

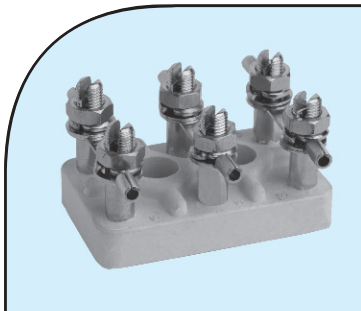
DRG. NO.	L	B	E	D	H	T
2117	43	27	15.5	6	23.5	M 4



**Terminal Block
suitable for
2 Pin Connector Small**

No. 2118

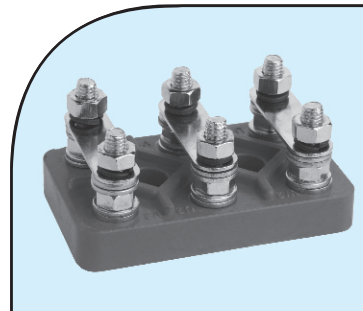
DRG. NO.	L	B	D	H
2118	17	15	4	15



**Terminal Block
suitable for
Energy Efficient Motor**

No. 2119

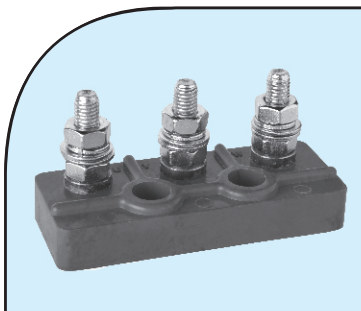
DRG. NO.	L	B	E	D	H	T
2119	60	37	20	6	38	M 7



**Terminal Block
suitable for
Lakshmi 160 Frame**

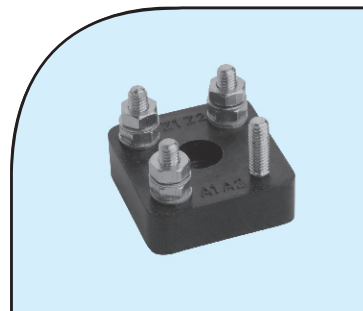
No. 2120

DRG. NO.	L	B	E	D	H	T
2120	78	48	28	7	36	M 6



No. 2121

DRG. NO.	L	B	E	D	H	T
2121	120	48	40	9	58	M 10



**Terminal Block
suitable for
Single Phase Motors**

No. 2122

DRG. NO.	L	B	D	H	T
2122	30	30	6	22	M 4