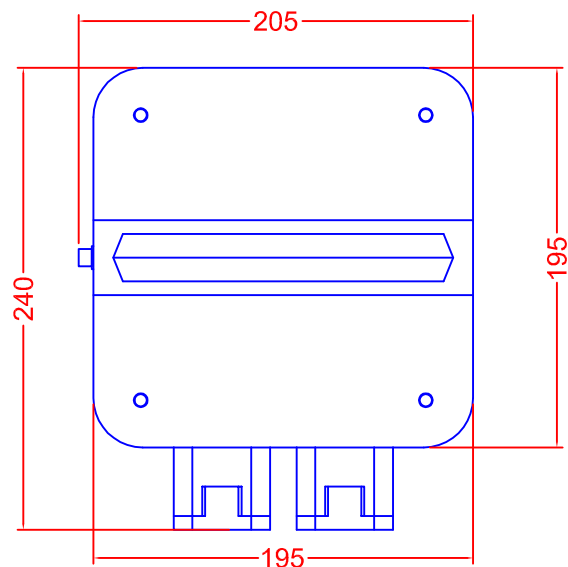
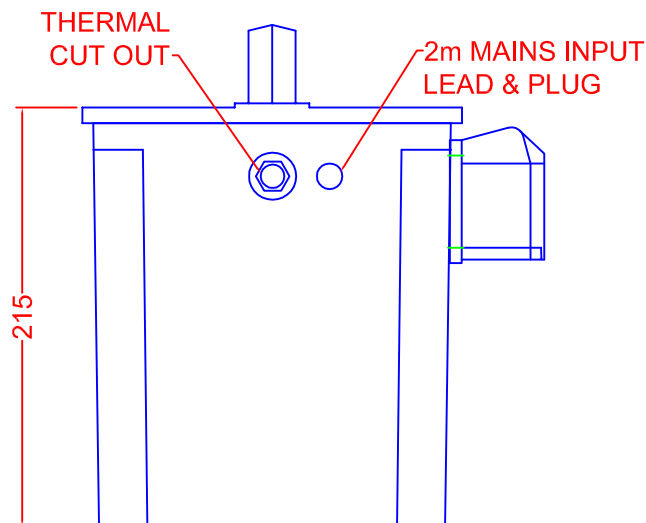
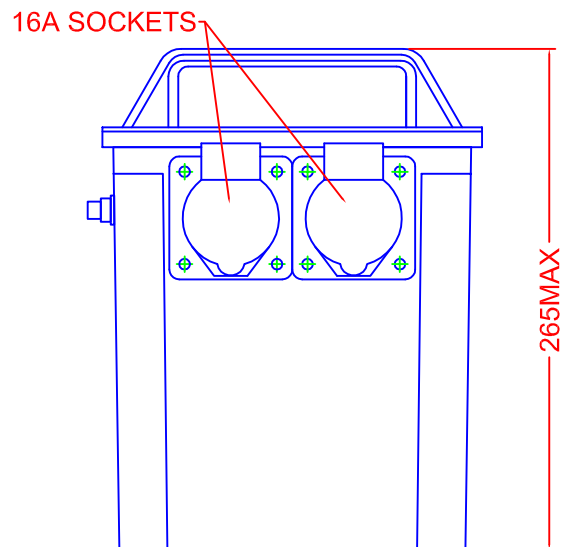


TOLERANCES (UNLESS SPECIFIED)	
0-10mm	±0.2mm
10.1-50mm	±0.5mm
50.1-250mm	±1.0mm
>250mm	±2.0mm



PORTABLE TOOLS TRANSFORMER

TYPE: ISOLATION

INPUT: 230V, 50Hz

OUTPUT: 55-0-55V

RATING: CENTRE-TAP-EARTHED
3.3kVA INTERMITTENT
5 MINS ON, 15 MINS OFF

THERMAL CUT-OUT: 10A

OUTPUT SOCKET: 2x16A BSEN60309

INPUT PLUG: 13A BS1363

ENCLOSURE: GRP YELLOW
RATED IP55

REV	
4	
3	
2	
1	

CARROLL & MEYNELL
TRANSFORMERS LIMITED
TEL: 01642 617406 FAX: 01642 614178
enquiries@carroll-meynell.com

TITLE
PORTABLE TOOL
TRANSFORMER CM33002

ALL DIMENSIONS IN mm

DRAWN	PROJECTION	DATE	SCALE
SH		05/01/07	NTS
DRAW No	REV	PAGE	
3261	0	1/1	