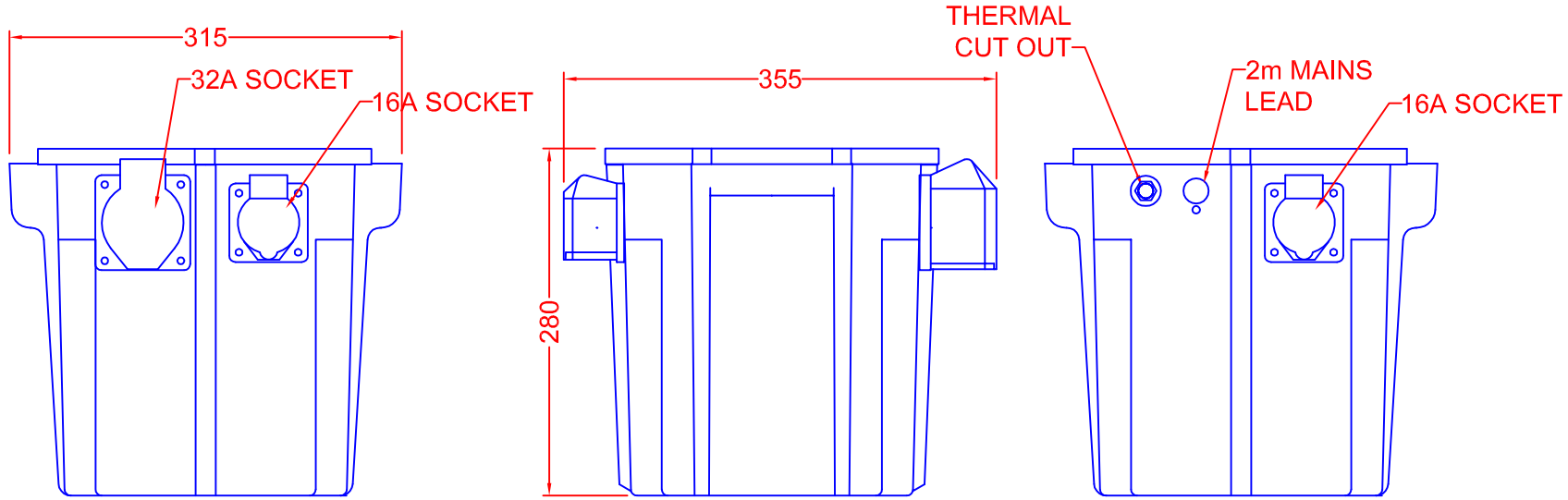


TOLERANCES (UNLESS SPECIFIED)	
0-10mm	±0.2mm
10.1-50mm	±0.5mm
50.1-250mm	±1.0mm
>250mm	±2.0mm



PORTABLE TOOLS TRANSFORMER
 TYPE: ISOLATION TRANSFORMER
 INPUT: 230V
 OUTPUT: 55-0-55V
 CENTER TAP EARTHED
 RATING: 5.0kVA INTERMITTENT
 2.5kVA CONTINUOUS
 THERMAL CUT-OUT: 15A
 OUTPUT SOCKET: 2x16A 1x32A BSEN60309
 ENCLOSURE: GRP
 RATED IP55
 COLOUR: YELLOW

REV	
4	
3	
2	RATING, GB 11/11/09
1	RATING, GB 05/05/09

CARROLL & MEYNELL
 TRANSFORMERS LIMITED
 TEL: 01642 617406 FAX: 01642 614178
 enquiries@carroll-meynell.com

TITLE
PORTABLE TOOL TRANSFORMER CM50003
ALL DIMENSIONS IN mm

DRAWN	PROJECTION	DATE	SCALE
SH		25/5/8	NTS
DRAW No	REV	PAGE	
6120	2	1/1	